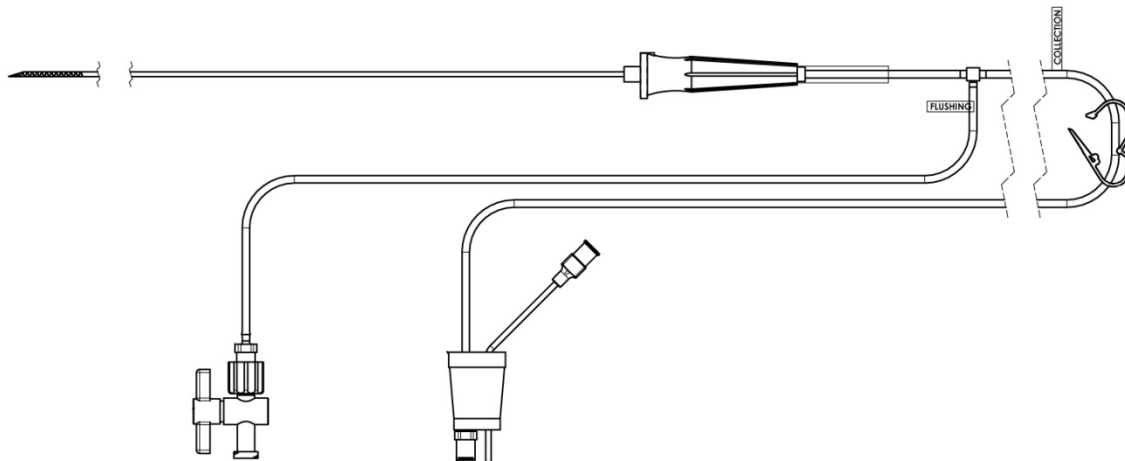


# Rocket® 'T' Set Oocyte Aspiration Needles

The Rocket® 'T's Set Oocyte Aspiration Needle combines the sleek profile, speed and ease of a single lumen needle with the ability to flush. A feature usually confined to bulkier double lumen needles.

- **'T' SET DESIGN** utilises 17G single lumen needle, maximising ease of penetration and minimising tissue trauma.
- **SX™** high resolution spiral echogenic surface to give extreme ultrasound definition.
- **10 x HIGHER FLOW RATES:** Single lumen design maximises flow to improve harvesting time. Typical 17G double lumen needle = 0.065l/min compared to Rocket® T Set Needle = 0.6l/min.
- **SMOOTH FLUID PATH:** All in-line fittings are designed to minimise turbulent flow and so maximise oocyte integrity.
- **SHAPED FINGER GRIP** with bevel marker and enhanced handle surfacing to significantly increase comfort and control.
- **'OXFORD' TUBING SET** with clear silicone stopper, 45° mount tube to ensure a rapid connection, high flow oocyte fluid path.



Ordering Information	Size/Length	Code
<b>Rocket® SX™ Single Lumen Needle with 'T' flush facility</b> 17g x 33cm x 90cm 'T' polyurethane tube set with clamp, 'Oxford' style tube set, flushing limb with 2 way stopcock. Sterile for one time use.	17g x 33cm x 90cm	<b>R57585-SX-90</b>

